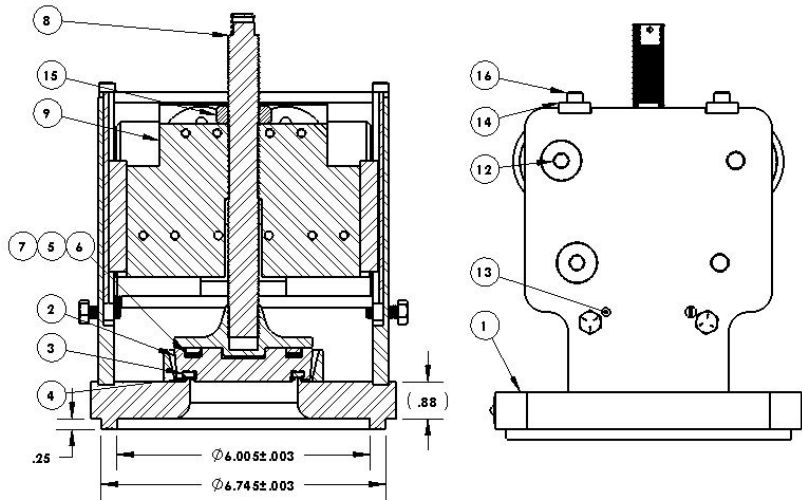


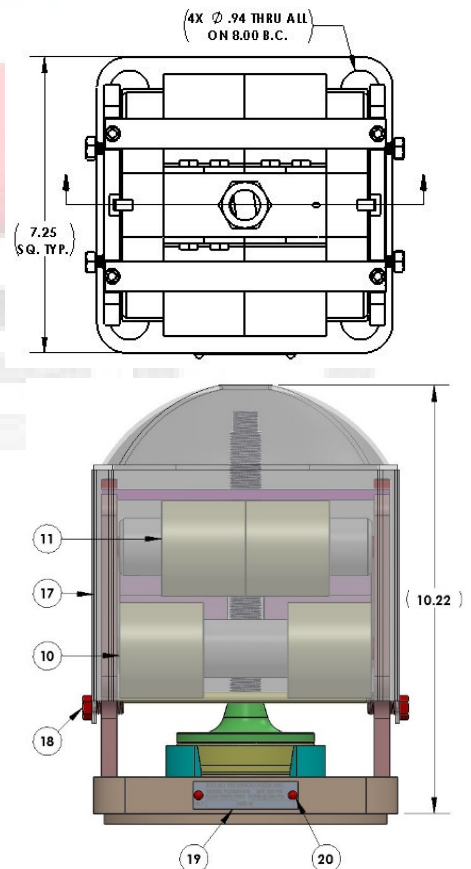


Pressure Relief Valve PC330HS

| ATTRIBUTES | |
|-----------------------|-----------------|
| Set Pressure (psig) | 330 |
| Orifice Diameter (in) | 2.56 |
| Flow Area (sq. in) | 5.14 |
| Weight (lbs.) | 43 |
| Flow Rate @ 363 psig | 33,874 SCFM |
| Height (in) | 10.22 |
| Flange Thickness (in) | 0.88 |
| Number of Bolt Holes | 4 |
| Bolt Hole Size (in) | 0.94 |
| Bolt Circle (in) | 8.00 |
| Interface Options | Tongue & Groove |
| Number of Springs | 56 |



| ITEM NO. | QTY. | DESCRIPTION | MATERIAL |
|----------|------|---------------------------|-----------------|
| 1 | 1 | BODY ASSEMBLY | STAINLESS STEEL |
| 2 | 1 | SEALING DISC | STAINLESS STEEL |
| 3 | 1 | SEAL* | ELASTOMER |
| 4 | 1 | SPIROLOX RING | STAINLESS STEEL |
| 5 | 1 | NEEDLE BEARING | CARBON STEEL |
| 6 | 1 | THRUST WASHER | CARBON STEEL |
| 7 | 1 | THRUST WASHER | CARBON STEEL |
| 8 | 1 | ADJUSTMENT SCREW ASSEMBLY | STAINLESS STEEL |
| 9 | 1 | SPRING BLOCK ASSEMBLY | STAINLESS STEEL |
| 10 | 2 | SPRING DRUM ASSEMBLY | STAINLESS STEEL |
| 11 | 2 | SPRING DRUM ASSEMBLY | STAINLESS STEEL |
| 12 | 4 | DRUM BOLT | ALLOY STEEL |
| 13 | 2 | LIFT STOP | STAINLESS STEEL |
| 14 | 2 | TOP BAR | STAINLESS STEEL |
| 15 | 1 | JAM NUT | STAINLESS STEEL |
| 16 | 4 | SOCKET HEAD CAP SCREW | ALLOY STEEL |
| 17 | 1 | COVER ASSEMBLY | CARBON STEEL |
| 18 | 4 | HEX BOLT | CARBON STEEL |
| 19 | 1 | NAMEPLATE | ALUMINUM |
| 20 | 2 | NAMEPLATE RIVET | STAINLESS STEEL |



AAR Approval Number: PRD172102
 Patent Number: US 9,568,146
 Seal material composition based on specification
 Other Sealing options available
 Note: Mounting flange gasket not supplied
 *Alternate Materials Available