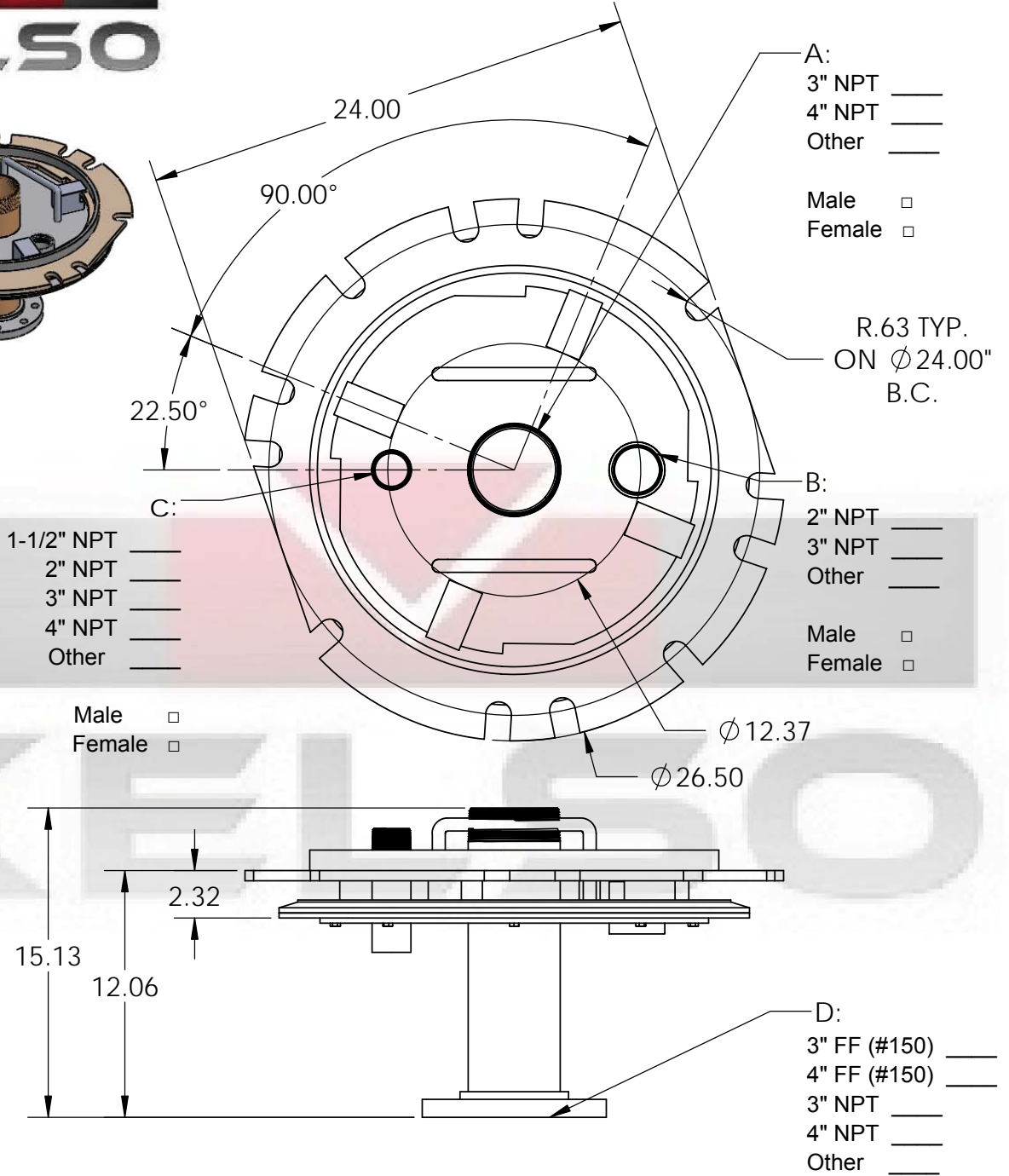
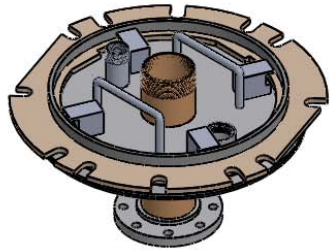




Kelso Loading Adapter Plate Assembly Configuration Sheet



Customer Approval: _____ Date: _____

Material: Aluminum - 6061

Note: Mounting gasket not supplied.

Gasket Dimensions: 23" O.D. X 16" I.D. X .25" Width, (8X) ϕ .31" holes on ϕ 17.50" B.C. (REF)

**Use this document to configure loading adapter plate other than standard options. All entries must be filled-out.*